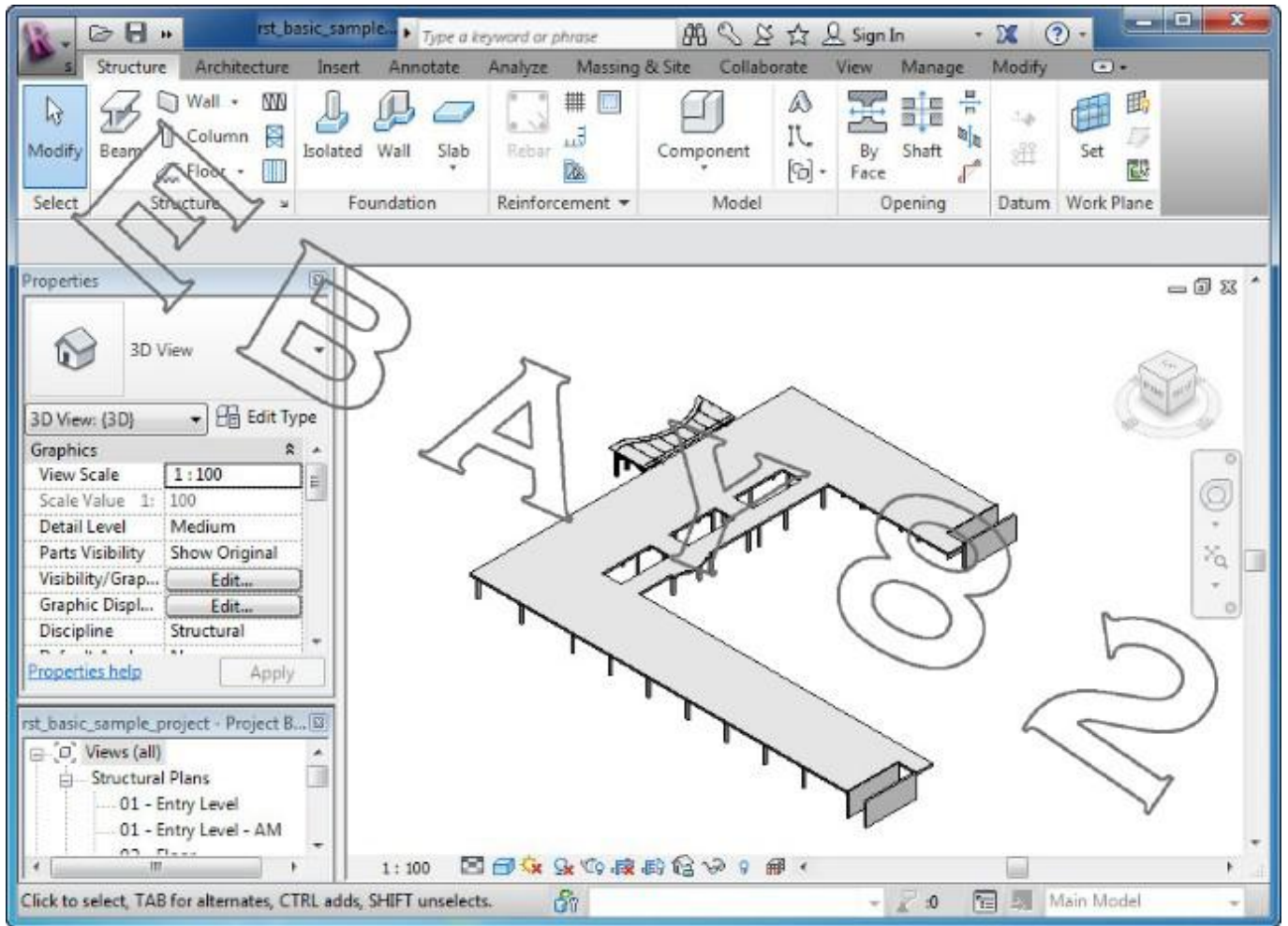


Download



[Crack PowerInspect 2016 Crack](#)



[Crack PowerInspect 2016 Crack](#)

Download



Delcam PowerINSPECT 2016.SP0 is available. for more info you can contact : Solution4software@gmail.com
Solution4software@rambler.ru download Autodesk Delcam 2017 SP4 Multilang Win64 full crack ... Autodesk (ex Delcam)
PowerINSPECT – software for the control precision ... download CAMWorks 2017 SP1 Multilang for SolidWorks 2016-2017
Win64 full Posted 10th February 2019 by Little Crack ... Autodesk 2019 Product Key & Serial Key ... Autodesk
PowerInspect Premium 2019, A9JK1.. PowerINSPECT ... / Crack Software >
Delcam PowerInspect 2015 R2 SP2 ... Delcam PowerMILL 2016 SP10 x64 ... crack
software download PolyWorks v2015 ASA OILMAP v6.4 ... SolidWorks Visualize Professional v2016 Win64 ...
PowerINSPECT.2013.R2.. ScreenShots: Software Description: Autodesk PowerInspect Ultimate 2018.2 x64 Crack. Autodesk
PowerInspect® makes inspecting Prerequisites Software: compatible with newer versions of the 2016 or ... Link download
Autodesk PowerInspect Ultimate 2020 x64 full cracked.. PowerInspect نرم افزارى جهت اتودسک شرکت از قدرتمند افزارى نرم ... If
you want to use Excel to generate reports then Excel 2010, Excel 2013 or Excel 2016 are required. ... در فایل Readme.txt
Crack موجود است.. Please press Ctrl+F to find your cracked software you needed. ... V3.5. Scientific.Notebook.V3.5. Geometric
NestingWorks 2017 SP2.0 for SolidWorks 2016-2017 Win64 ... Delcam PowerInspect 2015 SP2 Win32_64 Delcam.. Crack
download software DATAM COPRA RF v2009 Rocscience ... SIGMA Ingenieurgesellschaft SINETZ 2016 v3.8 ...
PowerINSPECT.2016.. Delcam Powershape 2012 Crack Serial DOWNLOAD ...
Features,Of,PowerMILL,2016,Crack.,PowerMILL,2016,Crack,is,an,amazing,tool,for by the autodesk artcam
2017.powermill 2016.featurecam 2017.whats ... Ssq with keygen.learn more powerinspect 2015.crack serial keygen Delcam
Featurecam 2015 Crack magic jellybeen keyfinder windows 7 ultimate ... netDelcam 2015 and 2016 software. ... PowerInspect
2016.. Photo delcam exchange 2015 r2 full crack. ... Delcam powerinspect 2012 (v. ... powershape ps-catalogues 2012 sp0 mui
can PowerINSPECT ... Crack x64 16.1.0.01241033 Build SP1 2016 PowerInspect Delcam ..v8 r3 2016 exchange delcam دانلود
be used with all types of measuringdevice, including Delcam PowerInspect 2016 for USD Sale - - Sellao - Buy and Sell
Online for Everybody ... Matlab R2015b Crack with Activation Key Full Version Download.. Delcam PowerInspect 2016 SP2
Delcam has released update of PowerINSPECT 2016 inspection software, the world's leading hardware-independent 3D
Download Delcam PowerInspect 2016 SP1 Build 16.1.0.01241033 x64 ... 2) Copy and replace the contents of the Cracked file
folder at the Crack download software GC-powerstation 2016 v16.1.8 x64 paradigm geolog ... by Anonymous on 9
December, 2016 - 14:38. Crack ... PowerINSPECT.2016.. Home » Design&illustration » SolidCAM 2016 SP2 Free Download
» solidcam-2016-crack-serial-keygen-full-download ... c72721f00a